

APPLICATION:

PRODUCT NAME:

**3-1/2" STAINLESS STEEL
BASKET STRAINER**

JOB NAME:

_____ SPECIAL CONFIGURATION
CHECK BASE MODEL AND OPTIONS

QUANTITY:

ITEM NO.

MODEL:

30376 w/ BASKET STRAINER

OPTIONS OR MODIFICATIONS:

OTHER _____

FEATURES:

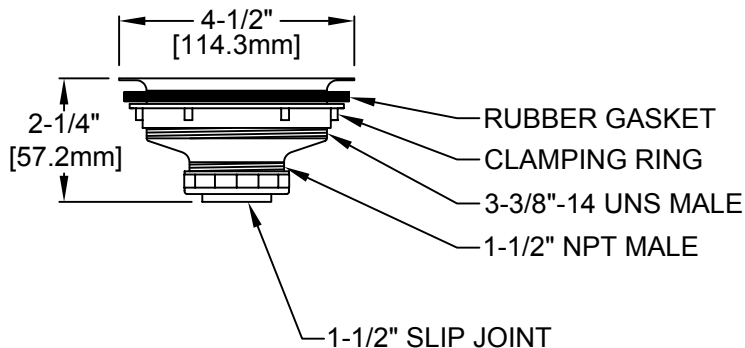
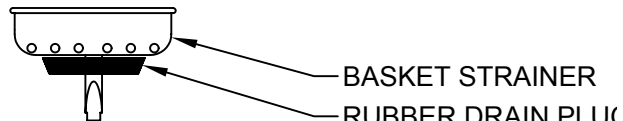
- * STAINLESS STEEL BODY
- * STAINLESS STEEL BASKET STRAINER WITH RUBBER DRAIN PLUG
- * 1-1/2" SLIP JOINT INCLUDED

DRAIN RATE:

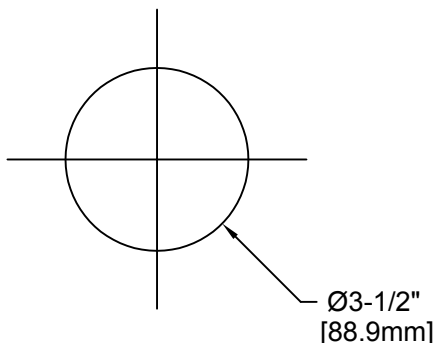
* 12 GPM

SHIPPING WEIGHT

* 1.0 LBS



ROUGH-IN:



ANSI/A112.18.1M



FISHER MANUFACTURING COMPANY
TOLL FREE: 800-421-6162 - FAX: 800-832-8238
information@fisher-mfg.com - www.fisher-mfg.com